

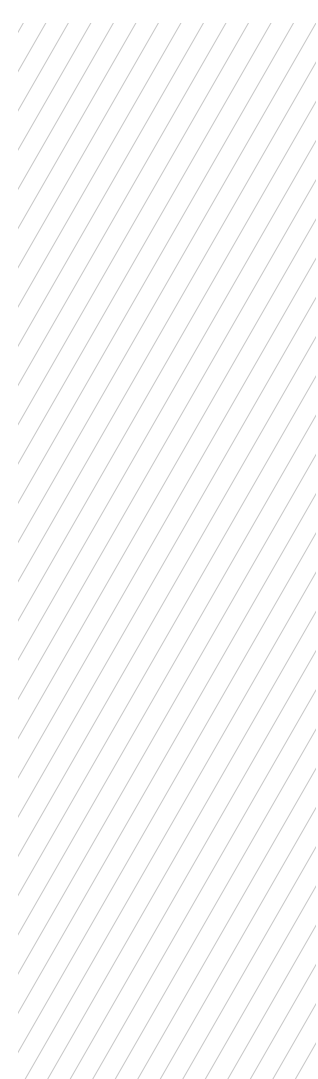


# RX08

## DIAPHRAGM VALVE

---

- 100% Helium Leak Test performed
- Assembling, testing & Packaging in cleanroom: Class ISO 4
- Reverse seat design for high life cycle
- Individual serial number for full traceability
- Electropolished surface roughness per SEMI F19 UHP Grade
- Fluid specific seat material as standard options
- Low internal volume
- 316L VAR® stainless steel double melt per SEMI F20 option available
- Additional Multi-port options
- 270° multiturn handwheel with open/close indicator
- Loto option
- Pneumatic version available
- Indicative switch option



# RX08 | HIGH PERFORMANCE UHP LINE VALVES

## SPECIFICATIONS

<b>Max. inlet pressure</b> See table below	<b>Pneumatic actuator opening pressure</b> 5 to 7 bar (73 to 102 psig)*	<b>Certified max. Helium outboard leak rate</b> $\leq 1 \times 10^{-9}$ mbar.l/s
<b>Temperature range</b> See table below	<b>Nominal seat diameter</b> 8 mm (0.31")	<b>Certified max. Helium across the seat leak rate (at max. pressure)</b> $\leq 1 \times 10^{-9}$ mbar.l/s
<b>Wetted volume</b> < 1.6 cm <sup>3</sup>	<b>Flow capacity (Cv)</b> 0.5	<b>Certified max. Helium inboard leak rate (at max. pressure)</b> $\leq 1 \times 10^{-9}$ mbar.l/s
<b>Burst pressure</b> > 700 bar (10152 psig)		

## CONSTRUCTION MATERIAL

	Parts	Material
<b>Wetted parts</b>	Body	SS 316L, VAR
	Seat	PCTFE, PVDF, VESPEL®
	Diaphragm	Phynox®
<b>Non-wetted parts</b>	Backup diaphragm	Phynox®
	Handwheel	Aluminium (QT) or Plastic (MT)
	Actuator Body	SS 316L or Aluminium
	Others	Stainless Steel, Alloys, Brass

## SURFACE FINISH

<b>S</b>	Ra 0.4 µm (15 µin)
<b>V</b>	Ra 0.25 µm EP (10 µin)

## VALVE VERSION / MAX. WORKING PRESSURE

Valve	Max. working pressure
RX08 (LM) Multiturn handwheel <sup>1 2</sup>	20 bar
RX08 (HM) Multiturn handwheel <sup>1 2</sup>	240 bar
RX08 (LQ) Quarter turn handwheel <sup>1</sup>	20 bar
RX08 (HQ) Quarter turn handwheel <sup>1</sup>	240 bar
RX08 (BP*) Pneumatically actuated	10 bar
RX08 (HP*) Pneumatically actuated <sup>3</sup>	240 bar

<sup>1</sup> FT (Panel Mounting) option available

<sup>2</sup> MSF LOTO option available

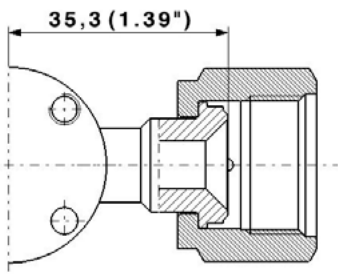
<sup>3</sup> Position indication switch available

## TEMPERATURE RANGE

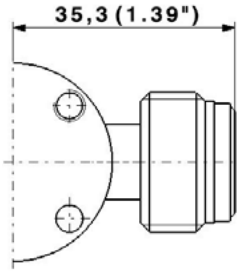
Seat (Actuation type)	Temperature Range
PCTFE / PVDF (manual & pneumatic*)	-40°C to +65°C (-40°F to +149°F)
VespeL® (manual & pneumatic*)	-40°C to +150°C (-40°F to +302°F)
*-20°C° pneumatic versions	

SCAN ME FOR FLOW CURVES & PRODUCT CONFIGURATOR

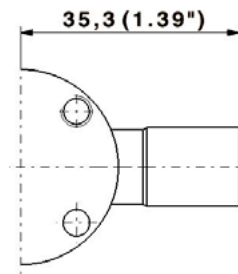




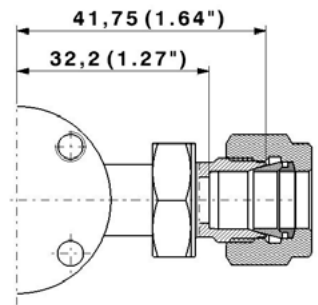
Female (face seal)  
Swivel



Male (face seal)  
non-Swivel

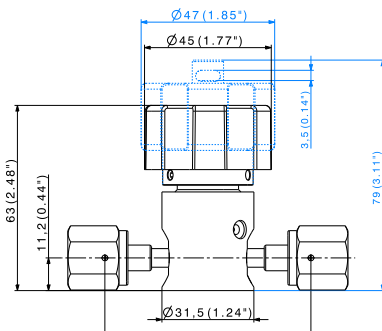


BWO for  
micro-welding head

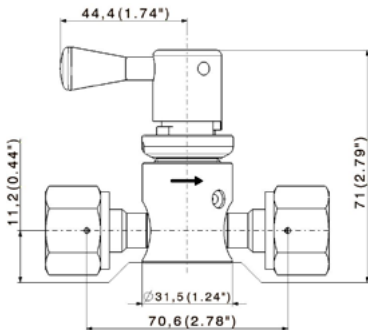


Compression tube fittings

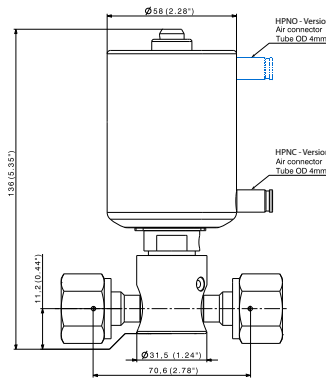
**RX08 - MULTI-TURN  
VALVE (LM, HM, MSF)**



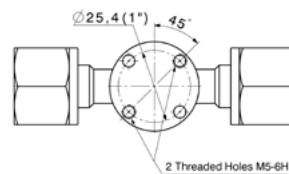
**RX08 - QUARTER TURN  
VALVE (LQ, HQ)**



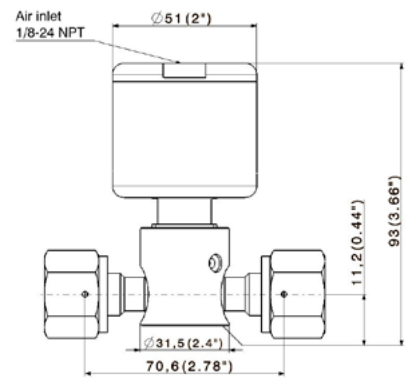
**RX08 - PNEUMATIC VALVE HIGH  
PRESSURE (HPNC, HPNO)**



**RX08 - BOTTOM VIEW**



**RX08 - PNEUMATIC  
VALVE (BPNC, BPNO)**



# PRODUCT CONFIGURATOR

	Surface Finish	Max. Delivery Pressure	Porting Configuration <sup>1</sup>	Body Material	Seat Material	End Connection	Options							
RX08	S	BP	2W1	-	K	A/B: B3/8								
	Ra 0.4 µm (15 µin)	S	Multi-Turn Handwheel (20bar)	LM	2W1	2W1	SS 316L	-	PCTFE (Kel-F®)	K	Metal face seal 3/8" - Female	V 3/8 F	Panel Mounting	FT
	Ra 0.25 µm EP (10 µin)	V	Multi-Turn Handwheel (240bar)	HM	2W2	2W2	Hastelloy®**	H	PI (Vespel®)	V	Metal face seal 3/8" - Male non-Swiel	V 3/8 M	Electric limit switch***	CI
			Pneumatically actuated (10 bar)	BP*	3W4	3W4	VAR**	A	PVDF	P	BWO 1/2"	B 1/2	LOTO	MSF
			Pneumatically actuated (240 bar)	HP*	3W5	3W5					BWO 3/8" mm	B 3/8	Constant bleed	FPT
			Quarter-Turn Handwheel (20 bar)	LQ	3W6	3W6					BWO 10 mm	B 10		
			Quarter-Turn Handwheel (240 bar)	HQ	3W8	3W8					BWO 12 mm	B 12		
					3W9	3W9					Compression tube fittings	RDB 3/8		
					4W10	4W10					Compression tube fittings	RDB 1/2		
					4W11	4W11					Compression tube fittings	RDB 10		
											Compression tube fittings	RDB 12		

<sup>1</sup> Check configurations here  
 \* Add NO for normally open or NC for normally closed  
 \*\* On demand  
 \*\*\* On HP and LP actuators only

**WE'RE WORLDWIDE**



- Brasil \* China \* France \* Germany \* India \* Indonesia
- Italy \* Japan \* Luxembourg \* Malaysia \* Middle East \* Mexico
- Philippines \* Poland \* Singapore \* South Korea \* Spain
- Thailand \* Taiwan \* United Kingdom \* Usa \* Vietnam



Find out our locations here  
<https://rotarex.com/locations>