



LINESTAR
BY ROTAREX



**THE MOST PRECISE & COMPACT
POINT OF USE IN THE WORLD**

TABLE OF CONTENTS

C790 SERIE LINESTAR PRODUCT FEATURES	P.006
- Mounted versions	P.006
· PMV Panel mounted version	P.006
· WMV Wall mounted version	P.007
· CMV Ceiling mounted version	P.008
· TMV Table mounted version	P.009
· IBV Integrated basic version	P.010
· IVV Integrated valve version	P.011
- Additional components	P.012
· Diaphragm needle valve	P.012
· Fixation system	P.013
· Labels	P.015
OTHER ACCESSORIES	P.016
- To complete Linestar	P.016
HOW TO ORDER	P.017
- Four steps to order	P.017
- Core elements	P.018
- Fixation system	P.021
- Additional components	P.022



**ISO
9001
QUALITY
ASSURANCE**



Linestar products are produced in Europe in accordance with international standards (ISO; CGA....) and are guaranteed to provide safe and reliable performance in operation. All locations are ISO 9001.

MULTITALENTED NEW POINT OF USE IMPROVE YOUR DAILY WORK



CMV
Ceiling mounted version

TMV
Table mounted version

LINESTAR | C790 PRODUCT SERIE

- Diaphragm single stage
Purity up to 6.0
- Inlet pressure: 50 bar (725 psi)
- Outlet pressure: 1,5/5,5/10 bar (21.75/79.75/145 psi)
- Acetylene version (AD - C₂H₂):
P2=1,5 bar (21,75 psi)

- ★ Accurate pressure delivery
- ★ Compact design
- ★ 1 inlet / 1 outlet
- ★ Rear Inlet for panel mounting: EASY FIX SYSTEM
- ★ Integrated shutoff valve: QUICK VALVE
- ★ O₂ applications compatible (Brass only)

KEY FEATURES

- The Linestar BASE has a very COMPACT design for all mounting configurations in laboratory and furniture applications.
- All functions: shut-off valve, regulator and gauge are integrated
- Its composite body and safety gauge are resistant against acetone.
- Quick installation due to its EASY FIX SYTEM which maintains the regulator in the right position.
- With this Cartridge Point of Use, we can provide a large range of accurate pressure in a compact design.
- Sintered Filter at the inlet is protecting against foreign particle

- With integrated diaphragm Quick Valve you have a clear view about its position.
- The Linestar can be equipped with several connection configurations at the inlet and outlet.
- Product available for acetylene applications. Do not forget to install a flash back arrestor complying with standard EN 730 located downstream.

SPECIFICATIONS

Female ports	Inlet : G ^{3/8} " Outlet :G ^{1/4} / 1/4"NPT w/adaptor	Plastic parts body	PEHD	Inlet pressure	50bar (725 psi) C ₂ H ₂ : 20 bar (290 psi)
Seat seal	PCTFE	Weight	900g (Brass or 316L)	Outlet pressure	1,5 / 5,5 / 10 bar 21.75 / 79.75 /145 psi C ₂ H ₂ : 1,5 bar (21.75 psi)
O-ring	EPDM (brass) FPM (316L)	Leak rate	10 ⁻⁸ mbar l/s He	Nominal Flow	1,2 / 2 / 9 m ³ /h Air
Diaphragm (valve)	HASTELLOY C276	Temperature range	-20°C to +60°C -4°F to +140°F	Oxygen use	Inlet pressure ≤ 30 bar (max for brass and 316L)

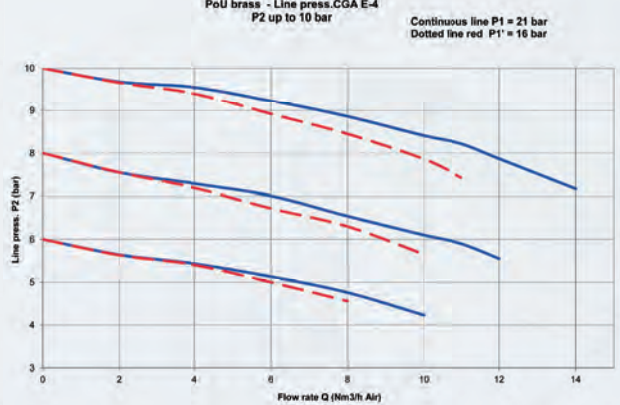
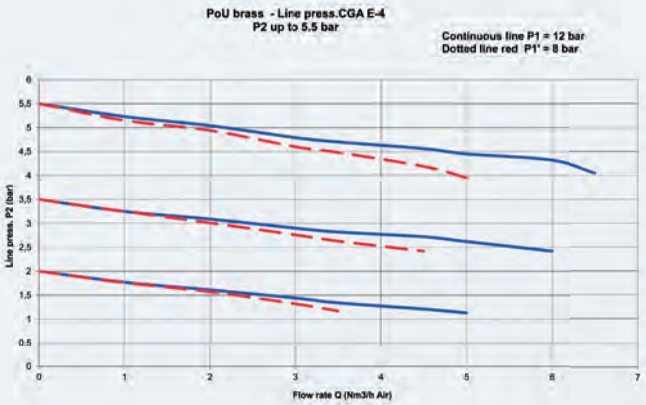
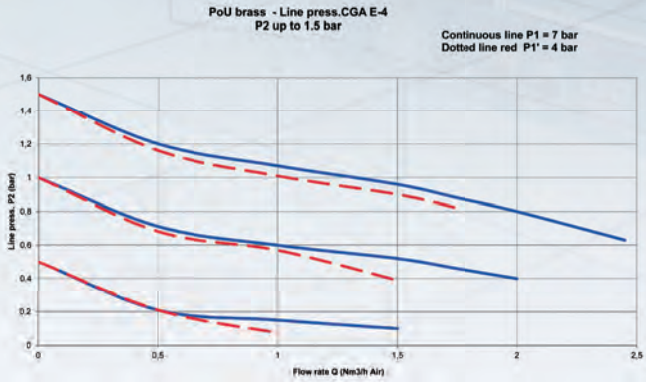


PMV
Panel mounted version

WMV
Wall mounted version

IBV
Integrated basic version

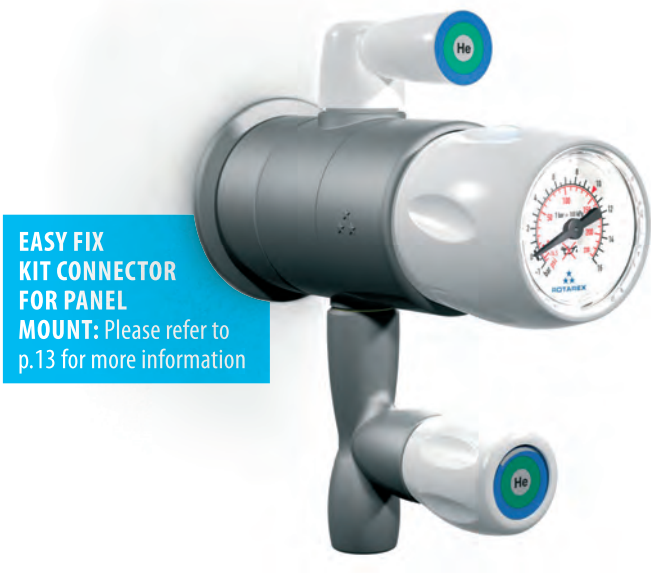
FLOW CURVES



PMV | C792 LINESTAR PANEL MOUNTED VERSION

KEY FEATURES

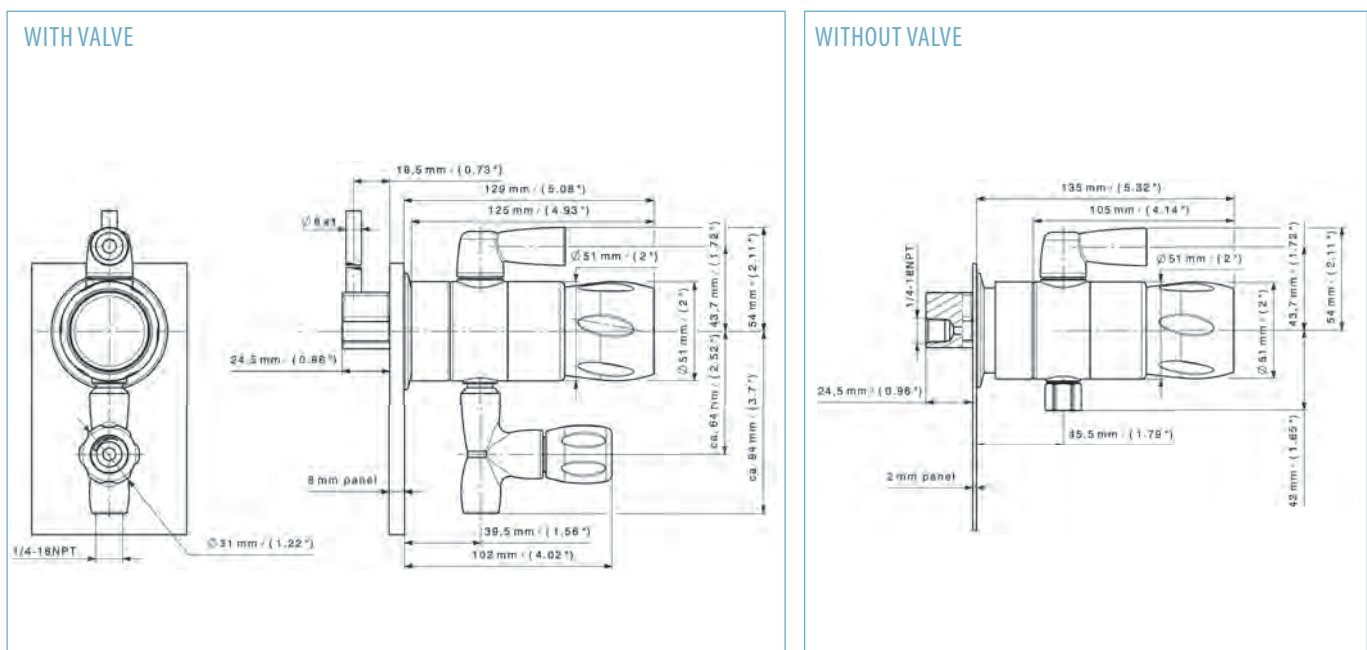
- With the EASY FIX PMV kit, you can install the Linestar into panels between 2 mm and 8 mm.
- The EASY FIX CONNECTOR will maintain the Linestar on the right position during the installation. You do not need any more to adjust the regulator position after assembly
- The PMV will be supplied with a plastic cover in order to have a smooth integration on the panel.
- The EASY FIX CONNECTOR exists in BRASS and 316L and can be provide with a tube at the inlet (Cooper for brass version and 316L for 316L version)



PRODUCT SPECIFICATIONS

Material	Brass or 316L	Weight	1150g (Brass) and 1100g (316L)	Ports	Inlet : G $\frac{3}{8}$ " RH female Outlet : $\frac{1}{4}$ "-18 NPT-female
-----------------	---------------	---------------	--------------------------------	--------------	-------------------------------------------------------------------------------

DIMENSIONS | Installation examples for 2 and 8 mm panels



To order please refer to product configurator on page 18

WMV | C793 LINESTAR WALL MOUNTED VERSION

KEY FEATURES

- The Linestar in combination with the EASY FIX WMV is designed for applications with surface pipework.
- The Set contains a connection (same as for the PMV) and an plastic bracket, with all needed accessories (washer, screw...). Here also we have equipped our product with our EASY FIX CONNECTOR so that you do not loose time by the installation.
- You can also order the WMV kit with the needed inlet fitting.

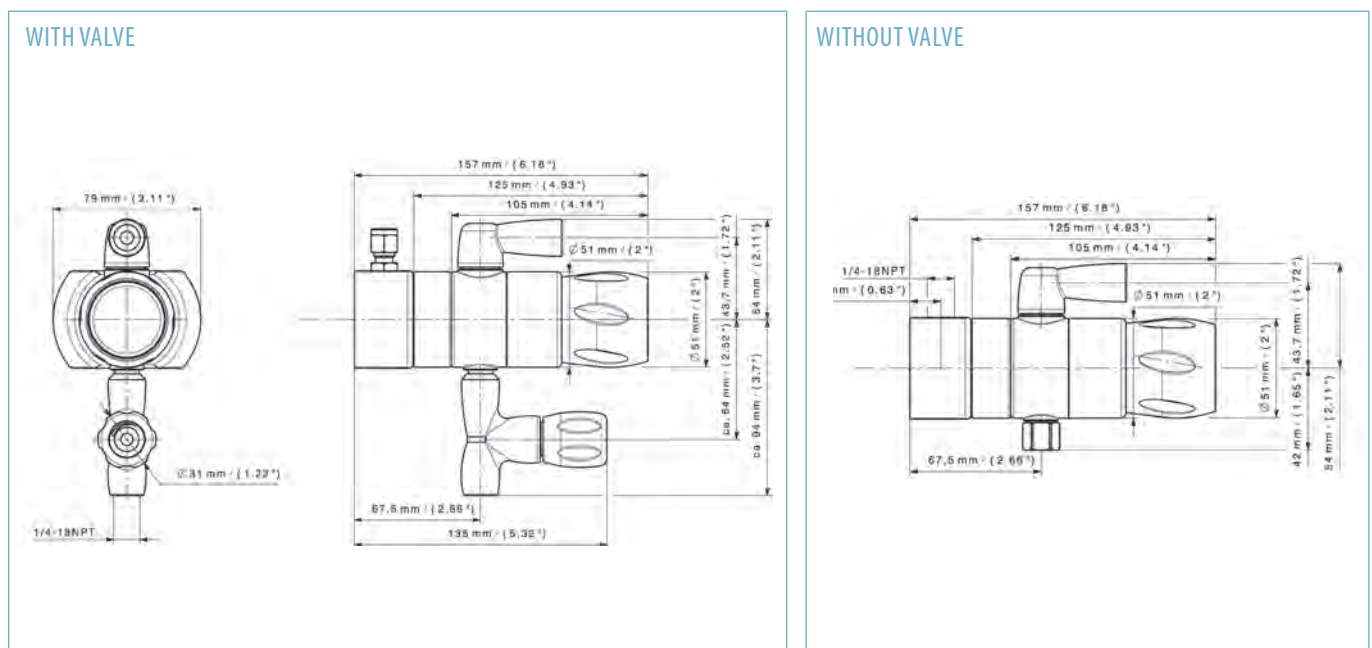
EASY FIX KIT CONNECTOR FOR WALL MOUNT:
Please refer to p.13 for more information



PRODUCT SPECIFICATIONS

Material	Brass or 316L	Weight	1150g (Brass) and 1100g (316L)	Ports	Inlet : G $\frac{3}{8}$ " RH female Outlet : $\frac{1}{4}$ "-18 NPT-female
-----------------	---------------	---------------	--------------------------------	--------------	-------------------------------------------------------------------------------

DIMENSIONS | Installation with or without flow valve



To order please refer to product configurator on page 19

CMV | C794 LINESTAR CEILING MOUNTED VERSION

KEY FEATURES

- The Linestar in combination with the EASY FIX CMV is designed for applications for ceiling installation.
- The CMV is ideally designed for new furniture requesting a shorter version so that the user has a better view on the outlet pressure
- The Set contains a connection (same as for the PMV) and a plastic bracket, with all needed accessories (washer, screw...). Here also we have equipped our product with our EASY FIX CONNECTOR so that you do not loose time by the installation.
- You can also order the CMV kit with the needed fitting at the inlet.
- Optional short ceiling version (see additional components page)

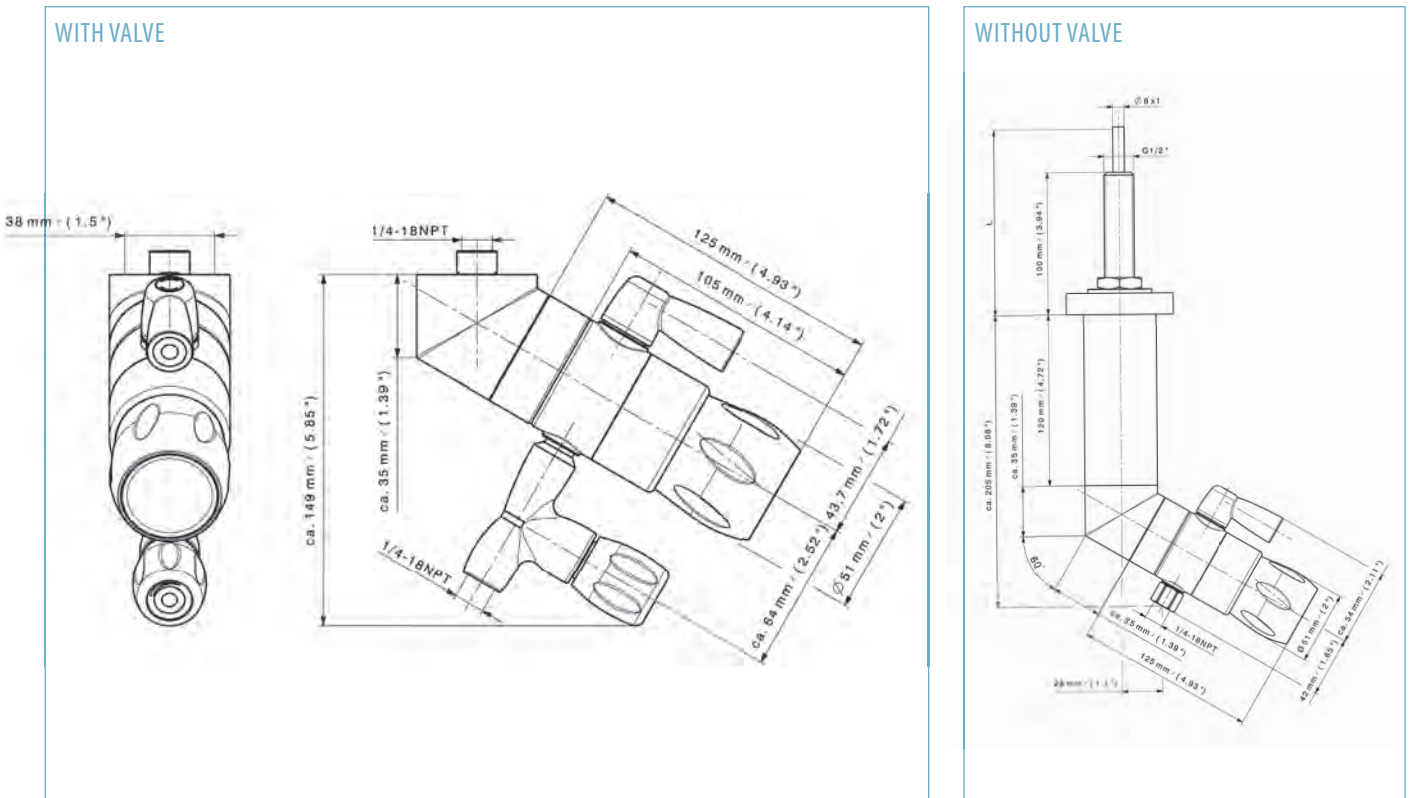
EASY FIX KIT CONNECTOR FOR CEILING MOUNT:
Please refer to p.14 for more information



PRODUCT SPECIFICATIONS

Material	Brass or 316L	Weight	1150g (Brass) and 1100g (316L)	Ports	Inlet : G $\frac{3}{8}$ " RH female Outlet : $\frac{1}{4}$ "-18 NPT-female
-----------------	---------------	---------------	--------------------------------	--------------	-------------------------------------------------------------------------------

DIMENSIONS | Installation for 120° long ceiling mounting



To order please refer to product configurator on page 19

TMV | C794 LINESTAR TABLE MOUNTED VERSION

KEY FEATURES

- The Linestar in combination with the EASY FIX TMV is designed for applications for table installation.
- The TMV is ideally designed for new furniture requesting a table version so that the user has a better view on the outlet pressure
- The Set contains a connection (same as for the PMV) and a plastic bracket, with all needed accessories (washer, screw...). Here also we have equipped our product with our EASY FIX CONNECTOR so that you do not lose time by the installation.
- You can also order the TMV kit with the needed fitting at the inlet.

**EASY FIX
KIT CONNECTOR
FOR TABLE MOUNT:**
Please refer to p.14 for
more information



PRODUCT SPECIFICATIONS

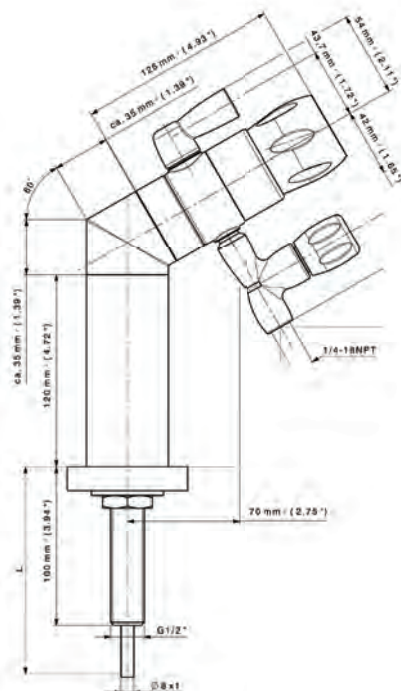
Material Brass or 316L

Weight 1150g (Brass) and 1100g (316L)

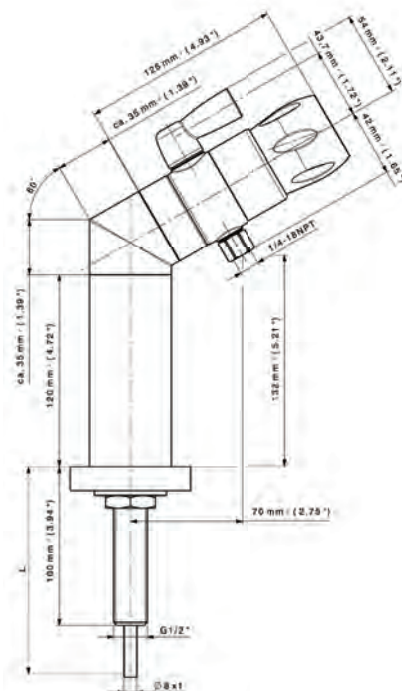
Ports Inlet : G $\frac{3}{8}$ " RH female
Outlet : $\frac{1}{4}$ "-18 NPT-female

DIMENSIONS | Installation for 120° table mounting

WITH VALVE



WITHOUT VALVE



To order please refer to product configurator on page 19

IBV | C795 LINESTAR INTEGRATED BASIC VERSION

KEY FEATURES

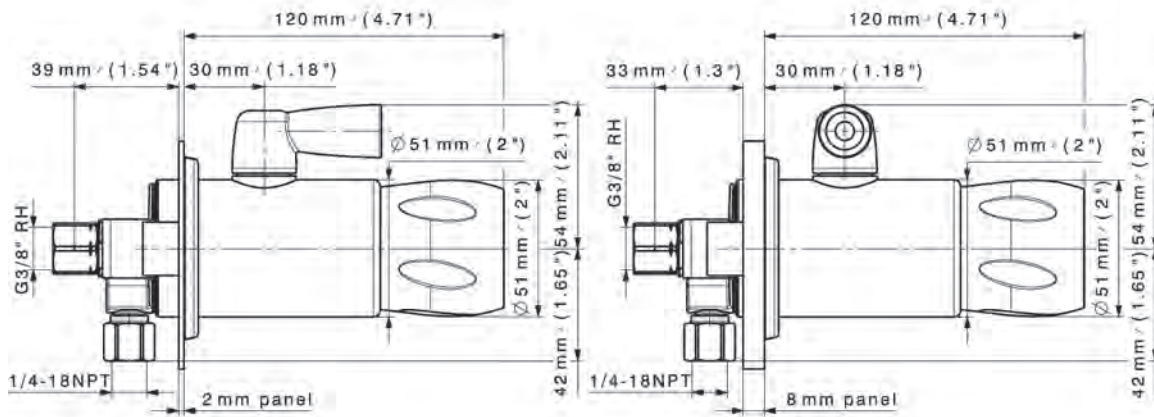
- This Linestar is dedicated to be mounted INTO the Furniture or fume hoods.
- The mounting kit is designed for panels with 2 and 8 mm thickness. Be simply changing the bracket orientation you can adapt it to the needed thickness.
- This version is without flow valve.
- Due to our design you can easily integrate/install the product on the furniture or fume hoods without any dissembling of plastic parts.
- There is also a bigger ring so that see immediately the position of the valve
- This version includes all needed accessories for the assembly (screws, wascher, label...)



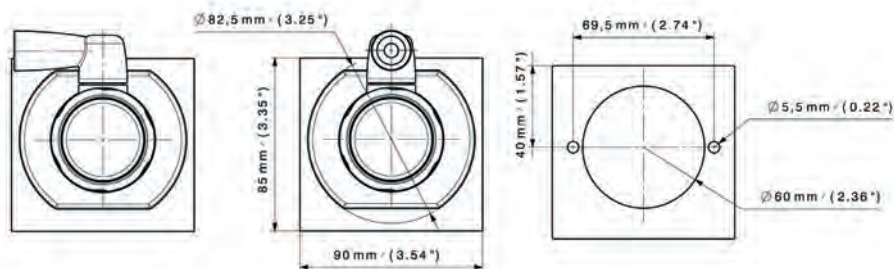
PRODUCT SPECIFICATIONS

Material	Brass or 316L	Weight	1150g (Brass) and 1100g (316L)	Ports	Inlet : G3/8" RH female Outlet : 1/4"-18 NPT-female
-----------------	---------------	---------------	--------------------------------	--------------	--------------------------------------------------------

DIMENSIONS | Installation examples for 2 and 8 mm furnitures thickness



HOW TO FIX THE LINESTAR DIRECTLY IN YOUR FURNITURE?



To order please refer to product configurator on page 20

IVV | C795 LINESTAR INTEGRATED VALVE VERSION

KEY FEATURES

- This Linestar is dedicated to be mounted INTO the Furniture or fume hoods.
- The mounting kit is designed for panels with 2 and 8 mm thickness. Be simply changing the bracket orientation you can adapt it to the needed thickness.
- This version has an integrated flow valve.
- Due to our design you can easily integrate/install the product on the furniture or fume hoods without any dissembling of plastic parts.
- There is also a bigger ring so that see immediately the position of the valve
- This version includes all needed accessories for the assembly (screws, wascher, label...)



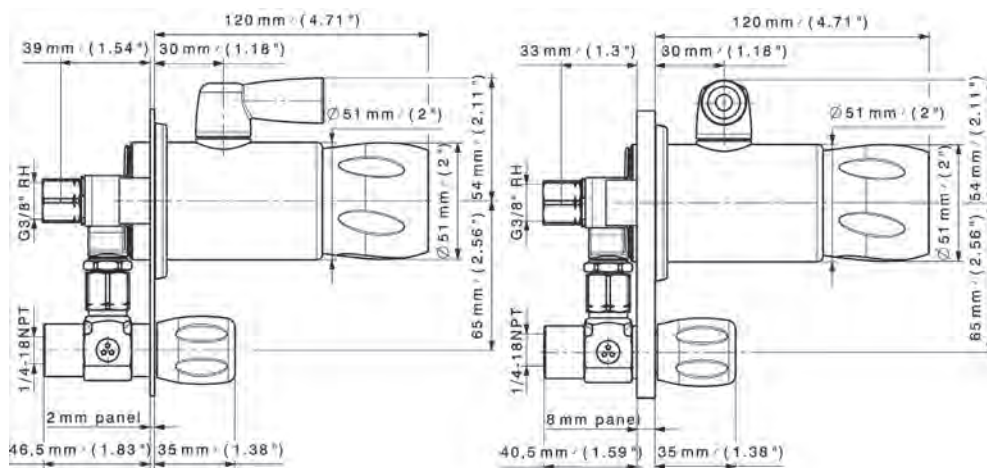
PRODUCT SPECIFICATIONS

Material Brass or 316L

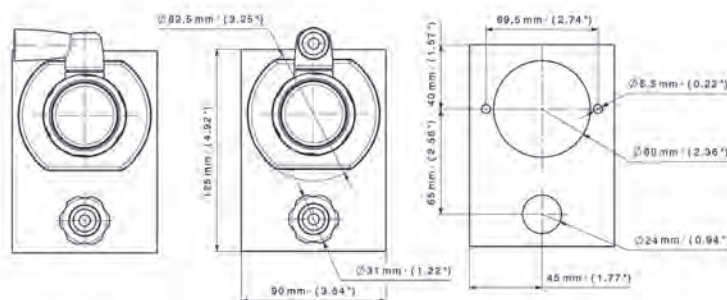
Weight 1150g (Brass) and 1100g (316L)

Ports Inlet : G3/8" RH female
Outlet : 1/4"-18 NPT-female

DIMENSIONS | Installation examples for 2 and 8 mm furnitures thickness



HOW TO FIX THE LINESTAR DIRECTLY IN YOUR FURNITURE?



To order please refer to product configurator on page 20

LINESTAR | C796 DIAPHRAGM NEEDLE VALVE

KEY FEATURES

- This valve can be used in different conditions. Either directly on the regulator at the outlet in order to control the flow or as tapping point (picture).
- Gas label can be ordered separately and adapted at the installation phase

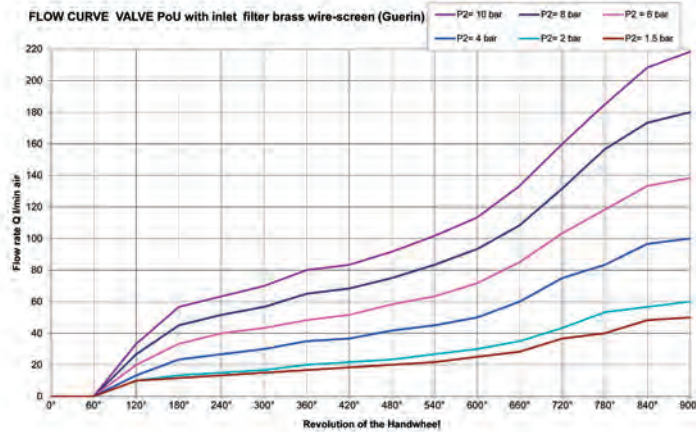


PRODUCT SPECIFICATIONS

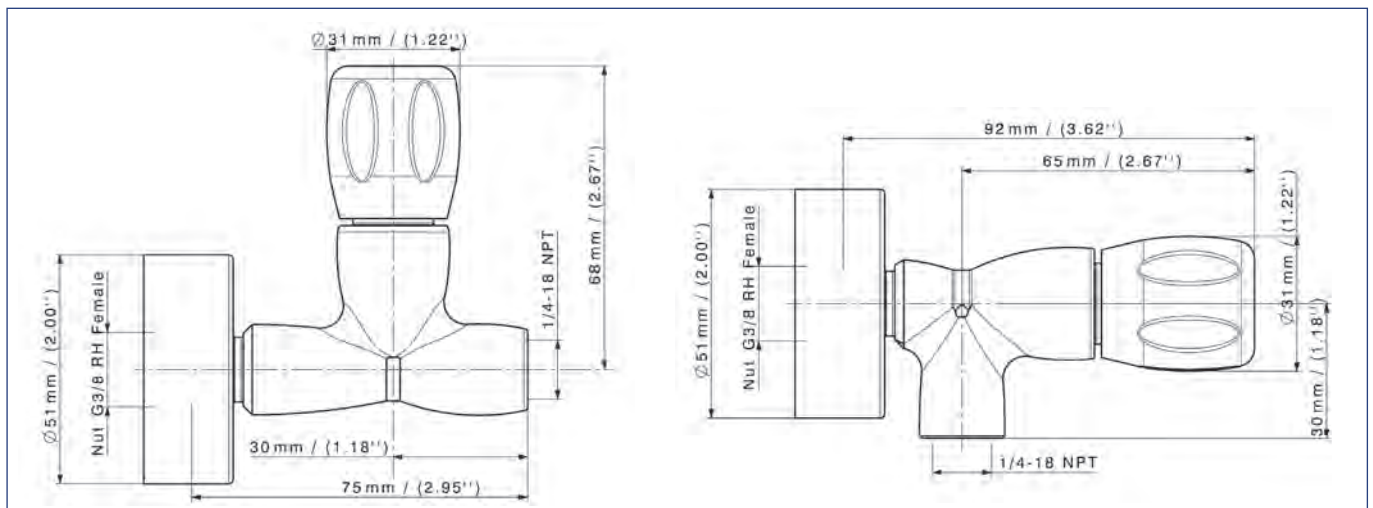
Material Valve body: Brass or 316L
Plastic cover: HDPE
Diaphragm: Hastelloy
Coation: TBC

Ports Inlet thread : TBC
Outlet thread: 1/4" NPT-female

FLOW CURVE



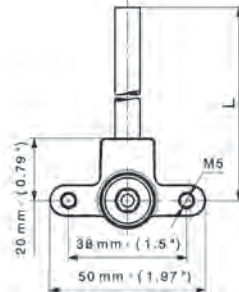
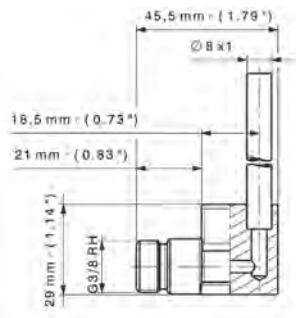
DIMENSIONS



To order please refer to product configurator on page 22

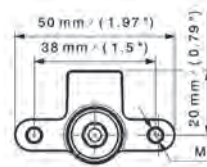
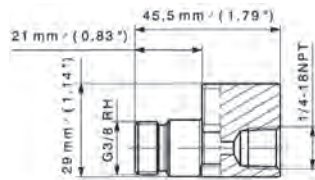
LINESTAR | FIXATION SYSTEM

PANEL VERSION



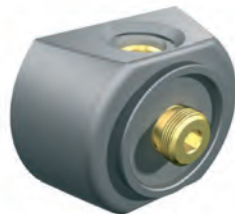
SPECIFICATIONS

Material	Wall connector: Brass or 316L Plastic cover: HDPE
Ports	Outlet: G $\frac{3}{8}$ " male Inlet: $\frac{1}{4}$ " NPT
Tube	Inlet: 8 x 1 mm Length: 500 mm for Cu and 316L tube



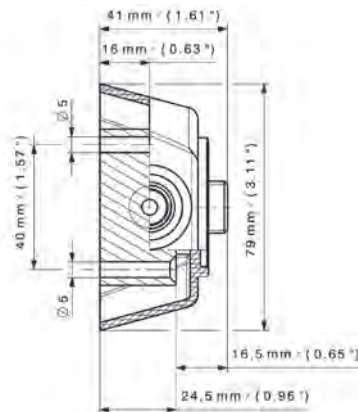
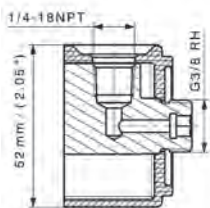
To order please refer to product configurator on page 21

WALL VERSION



SPECIFICATIONS

Material	Wall connector: Brass or 316L Plastic cover: HDPE
Ports	Outlet: G $\frac{3}{8}$ " male Inlet: $\frac{1}{4}$ " NPT female

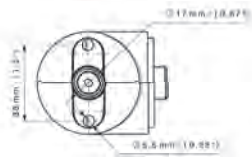
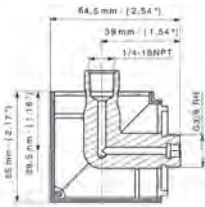


To order please refer to product configurator on page 21

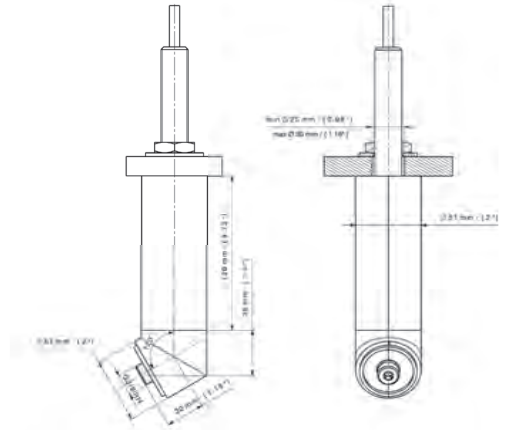
LINESTAR | FIXATION SYSTEM

CEILING VERSION

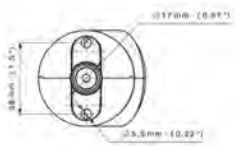
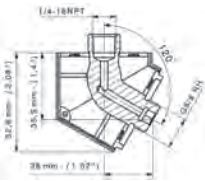
Kit ceiling 90°C



Kit ceiling long 120°C



Kit ceiling 120°C

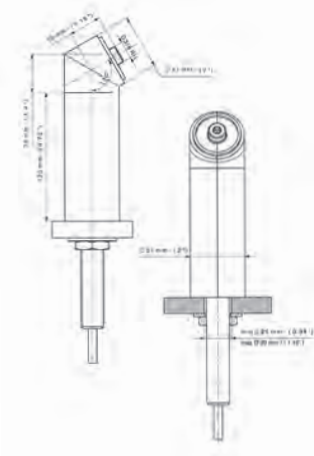


SPECIFICATIONS

Material	Wall connector: Brass or 316L Plastic cover: HDPE
Ports	Outlet: G $\frac{3}{8}$ " male Inlet 1/4" NPT female

To order please refer to product configurator on page 21

TABLE VERSION



SPECIFICATIONS

Material	Wall connector: Brass or 316L Plastic cover: HDPE
Ports	Outlet: G $\frac{3}{8}$ " male Inlet 1/4" NPT female

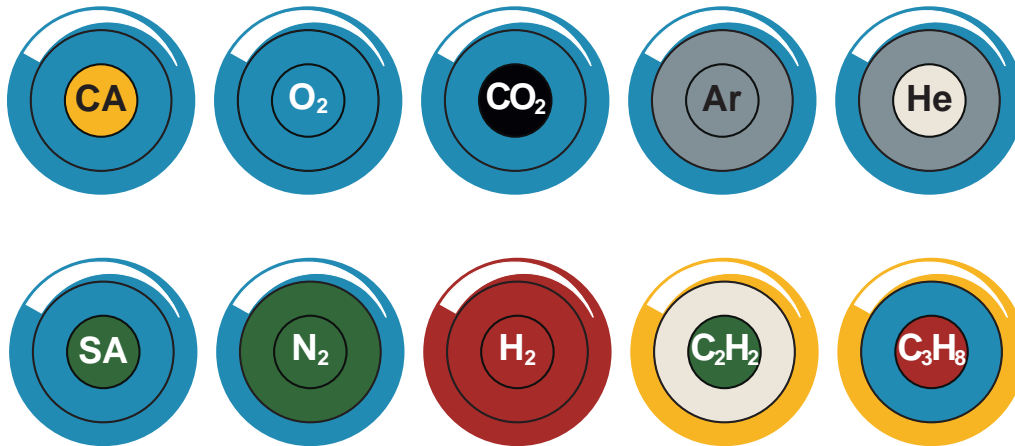
To order please refer to product configurator on page 21

LINESTAR | 800 LABELS

KEY FEATURES

The Linestar has many stickers possibilities to identify the gas type:

- Pannel or wall stickers for rosace
- Integrated version stickers for rosace
- Valve handwheel stickers



To order please refer to product configurator on page 22

TO COMPLETE LINESTAR

In addition to Linestar, Rotarex can propose for your activity a full range of lab products.

From source to process you can find a full range of precise equipment for your gas supply system and manipulation.

For more information concerning one or more of those products please contact us directly.

Tel.: +352 32 78 32-208
E-mail: salesequipment@rotarex.com

FITTINGS



HOSE CONNECTORS



PRESSURE REGULATORS



SUPPLY AND SWITCH OVER BOARDS



INSTRUMENTATION



FOUR STEPS TO ORDER

STEP 1

- ★ Decide between available versions according to your needs
- ★ If you want to receive a «pre-assembled» version, please refer to kit versions configurators (page 16)
- If you need to receive separate components (product base + fixation kit) please refer to «separate components» versions configurator (page 18)

STEP 2

- ★ Depending on your application and work environment you may need an additional needle valve
- ★ For that please refer to related configurator on page 20

STEP 3

- ★ In the aim to improve information visibility in work area we propose indicator labels for gas types (for mounted versions)
- ★ You also can order these elements through configurator on page 20

1

WHICH VERSION?

PRE-ASSEMBLED
See page 16

SEPARATE COMPONENTS
See page 18

2

NEEDLE VALVE?

Refer on page 20

3

INDICATOR LABELS

FOR GAS TYPES

Refer on page 20

LINESTAR | CORE ELEMENTS

VERSIONS KIT

Panel version



Version name	Material		Outlet Pressure		Needle valve		Inlet connection		Outlet connection		Gas Type		
C792	B		1,5		1		G $\frac{3}{8}$		¼ NPT				
Panel product version	C792	Brass	B	1,5	1,5	With needle valve	1	Brass panel copper	BPC	¼ NPT Adaptor	¼ NPT	To Specify	AR
		Stainless Steel	SS	5,5	5,5	No needle valve	2	SS panel copper	SSPC	¼ NPT Adaptor + Brass compression tube fitting 6 mm straight	B6		HE
										¼ NPT Adaptor + Brass compression tube fitting 8 mm straight	B8		O ₂
										¼ NPT Adaptor + SS compression tube fitting 6 mm straight	SS6		C ₂ H ₂
										¼ NPT Adaptor + SS compression tube fitting 8 mm straight	SS8		C ₃ H ₈
¼ NPT Adaptor + Brass hose connector 6 mm	BH6		N ₂										
¼ NPT Adaptor + SS hose connector 6 mm	SSH6		SA										
Other on demand			CA										
												CO ₂	
												H ₂	

Other on demand

Wall version



Version name	Material		Outlet Pressure		Needle valve		Inlet connection		Outlet connection		Gas Type		
C793	B		1,5		1		1/4 NPT		¼ NPT				
Wall product version	C793	Brass	B	1,5	1,5	With needle valve	1	¼ NPT	¼ NPT	¼ NPT Adaptor	¼ NPT	To Specify	AR
		Stainless Steel	SS	5,5	5,5	No needle valve	2	¼ NPT	¼ NPT	¼ NPT Adaptor + Brass compression tube fitting 6 mm straight	B6		HE
										¼ NPT Adaptor + Brass compression tube fitting 8 mm straight	B8		O ₂
										¼ NPT Adaptor + SS compression tube fitting 6 mm straight	SS6		C ₂ H ₂
										¼ NPT Adaptor + SS compression tube fitting 8 mm straight	SS8		C ₃ H ₈
¼ NPT Adaptor + Brass hose connector 6 mm	BH6		N ₂										
¼ NPT Adaptor + SS hose connector 6 mm	SSH6		SA										
Other on demand			CA										
												CO ₂	
												H ₂	

Other on demand

LINESTAR | CORE ELEMENTS (continued)

VERSIONS KIT

Ceiling or table version



Version name	Material		Outlet Pressure		Needle valve		Inlet connection		Outlet connection		Gas Type	
C794	B		1,5		1		B6E		B6E		To Specify	
Ceiling or table product version	C794	Brass	B	1,5	1,5	With needle valve	1	Brass compression tube fitting 6 mm elbow	B6E	Brass compression tube fitting 6 mm elbow	B6E	AR
		Stainless Steel	SS	5,5	5,5	No needle valve	2	Brass compression tube fitting 8 mm elbow	B8E	Brass compression tube fitting 8 mm elbow	B8E	HE
				10	10			SS compression tube fitting 6 mm elbow	SS6E	SS compression tube fitting 6 mm elbow	SS6E	O ₂
				1,5 C ₂ H ₂	1,5			SS compression tube fitting 8 mm elbow	SS8E	SS compression tube fitting 8 mm elbow	SS8E	C ₂ H ₂

Other on demand

Other on demand

INTEGRATED VERSIONS



Version name	Material		Needle valve		Inlet connections		Outlet connections		Gas types	
C795	B		1		¼ NPT		¼ NPT		To Specify	
Integrated product version	C795	Brass	B	With needle valve	1	¼ NPT	¼ NPT	¼ NPT Adaptor	¼ NPT	AR
		Stainless Steel	SS	No needle valve	2			¼ NPT Adaptor + Brass compression tube fitting 6 mm straight	B6	HE
								¼ NPT Adaptor + Brass compression tube fitting 8 mm straight	B8	O ₂
								¼ NPT Adaptor + SS compression tube fitting 6 mm straight	SS6	C ₂ H ₂
								¼ NPT Adaptor + SS compression tube fitting 8 mm straight	SS8	C ₃ H ₈
								¼ NPT Adaptor + Brass hose connector 6 mm	BH6	N ₂
								¼ NPT Adaptor + SS hose connector 6 mm	SSH6	SA
		CA								

Other on demand

LINESTAR | CORE ELEMENTS (continued)

VERSION "TO ASSEMBLY"

Basic version



Version name	Material		Outlet Pressure		Needle valve		Inlet connection		Outlet connection		Gas Type		
C791	B		1,5		1		G 3/8		1/4 NPT				
Basic product version	C791	Brass	B	1,5	1,5	With needle valve	1	G 3/8 Female	G 3/8	1/4 NPT Adaptor	1/4 NPT	To Specify	AR
		Stainless Steel	SS	5,5	5,5	No needle valve	2			1/4 NPT Adaptor + Brass compression tube fitting 6 mm straight	B6		HE
			10	10					1/4 NPT Adaptor + Brass compression tube fitting 8 mm straight	B8		O ₂	
			1,5 C ₂ H ₂	1,5					1/4 NPT Adaptor + SS compression tube fitting 6 mm straight	SS6		C ₂ H ₂	
									1/4 NPT Adaptor + SS compression tube fitting 8 mm straight	SS8		C ₃ H ₈	
									1/4 NPT Adaptor + Brass hose connector 6 mm	BH6		N ₂	
									1/4 NPT Adaptor + SS hose connector 6 mm	SSH6		SA	
								Other on demand			CA		
												CO ₂	
												H ₂	
												Other on demand	

LINESTAR | FIXATION SYSTEM

PANEL VERSION



Kit		Material		Inlet connection	
KP		B		BPC	
KPMV	KP	Brass	B	BPC	BPC
		Stainless Steel	SS	SSPC	SSPC
				¼ NPT	¼ NPT

WALL VERSION



Kit		Material		Inlet connection	
KW		B		¼ NPT	
KWMV	KW	Brass	B	¼ NPT	¼ NPT
		Stainless Steel	SS		

CEILING VERSION

Kit ceiling 90°C



Kit		Material		Inlet connection	
KC90		B		¼ NPT	
KCMV 90	KC90	Brass	B	¼ NPT	¼ NPT
		Stainless Steel	SS		

Kit ceiling 120°C



Kit		Material		Inlet connection	
KC 120		B		¼ NPT	
KCMV 120	KC120	Brass	B	¼ NPT	¼ NPT
		Stainless Steel	SS		

Kit ceiling long 120°C or table



Kit		Material		Inlet connection	
KLC 120		B		BPC	
Kcm20 120 + column or KTMC	KCT	Brass	B	BPC	BPC
		Stainless Steel	SS	SSPC	SSPC

LINESTAR | ADDITIONAL COMPONENTS

DIAPHRAGM NEEDLE VALVE



Valve	Material		Orientation		Outlet pressure		Inlet connection		Outlet connections		Gas types		
C796	B		TPMV		10		G ^{3/8}		B8		HE		
Reference	C796	Brass	B	Angle Version	AV	10	10	G ^{3/8} female	G ^{3/8}	1/4 NPT	1/4 NPT	To Specify	AR
		Stainless Steel	SS	Straight Version	SV					Brass compression tube fitting 6 mm straight	B6		HE
										Brass compression tube fitting 8 mm straight	B8		O ₂
										SS compression tube fitting 6 mm straight	SS6		C ₂ H ₂
										SS compression tube fitting 8 mm straight	SS8		C ₃ H ₈
										Brass hose connector 6 mm	BH6		H ₂
										SS hose connector 6 mm	SSH6		N ₂
													SA
													CA
													CO ₂

LABEL



Stickers	Types		Gas Types		
800	SPW		ARG		
Reference	800	Sticker panel or wall	SPW	To Specify	AR
		Sticker Integrated Version	SIV		HE
		Valve handweel sticker	VH		O ₂
					C ₂ H ₂
					C ₃ H ₈
					H ₂
					N ₂
					SA
					CA
					CO ₂

A WORLD OF GAS CONTROL SOLUTIONS

COMPLETE SOLUTIONS FROM SOURCE TO PROCESS.

ROTAREX is helping engineers worldwide to get better gas results: from ultra high purity production and medical care facilities to industrial and LPG applications, as well as alternative energy vehicles, fire suppression, diving, aerospace, cryogenics, laboratory, petro-chemical and welding. ROTAREX applies over 90 years of know-how and experience to custom design, develop and manufacture the high performance valves, regulators and fittings to suit your needs, all in one hand. Discover the difference ROTAREX can make in your world.

CYLINDER VALVES

EQUIPMENT

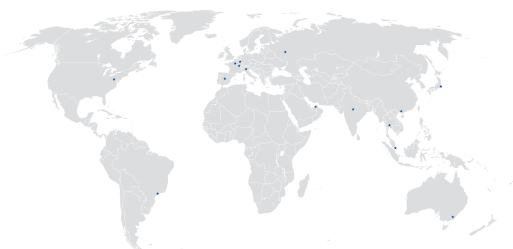
FIRETEC

AUTOMOTIVE

LPG/SRG

MEDITEC





WORLDWIDE HEADQUARTERS

ROTAREX S.A.
24, rue de Diekirch, BP 19
L-7505 Lintgen
Luxembourg
Tel.: +352 32 78 32-1
Fax: +352 32 78 32-854
E-mail: info@rotarex.com



REGIONAL / COUNTRY HEAD QUARTERS

NORTH AMERICA

USA
Rotarex North America
221 Westec Drive
Westmoreland Technology Park I
Mt. Pleasant, Pennsylvania 15666 USA
Tel.: +1 724-696-43 40
Fax: +1 724-696-43 64
E-mail: info@northamerica.rotarex.com

SOUTH AMERICA

BRASIL
Rotarex Brazil Ltda
Cond. Ind. Portal da Anhanguera Estr. Municipal
Gov. Mário Covas, S/N
13279-411 Bairro Macuco - Valinhos
São Paulo Brazil
Tel.: +55 19 3518 0800
Fax: +55 19 3869-1503
E-mail: info@brazil.rotarex.com

EUROPE

FRANCE, BENELUX, GERMANY
24, rue de Diekirch, BP 19
L-7505 Lintgen, Luxembourg
Tel.: +352 32 78 32-1
Fax: +352 32 78 32 317
E-mail: salesequipment@rotarex.com

ITALY

Rotarex Italia S.r.l.
46 Via Giacomo Matteotti
I-25080, Clivverghe di Mazzano (BS) Italy
Tel.: +39 030 212 05 50
Fax: +39 030 212 23 62
E-mail: info@italia.rotarex.com

SPAIN

Rotarex Spain
C/Alcala, 4ª Oficina 404
28014 Madrid
Tel.: +34 (91) 570 89 05
Mobile: +34 (650) 908 856
E-mail: info@spain.rotarex.com

RUSSIA

Rotarex Rus
Tverskaya street, 20/1 bldg. 1 of 506
125009, Moscow Russia
Tel.: +7 985 125 7776
Skype: rotarexruss
E-mail: info-russia@rotarex.com

POLAND

Rotarex Polska
13 Gröbli
PL 49-300 Brzeg, Poland
Tel.: +48 77 416 40 16
Fax: +48 77 416 20 99
E-mail: info@poland.rotarex.com

ASIA

MIDDLE EAST

Rotarex Middle East
Jebel Ali Free Zone - Lob 17, Office 415
P.O. Box 261749
Dubai, U.A.E.
Tel.: +971 (0) 4 887 6701
Fax: +971 (0) 4 887 6702
E-mail: info@middle-east.rotarex.com

CHINA

Rotarex Star
60 Yuan Zhong Road
Shanghai Nanhui Industrial Zone
201300, Shanghai China
Tel.: +86-21 5800 4000
Fax: +86-21 5800 3226
E-mail: info@china.rotarex.com

SINGAPORE

Rotarex Fareast Pte Ltd
10 Ubi Crescent
Ubi Techpark, Lobby C, #06-55
408564 Singapore
Tel.: +65 64 72 37 27
Fax: +65 64 72 45 28
E-mail: info@singapore.rotarex.com

JAPAN

Rotarex Japan Ltd
6F, Yawaragi Bldg., 1-27-11 Taito
Taito-ku, Tokyo
110-0016 JAPAN
Tel.: +81 3 5817 8108
Mob.: +81 80 3755 2539
Fax: +81 3 5817 8168
E-mail: info@japan.rotarex.com

OCEANIA

AUSTRALIA

Rotarex Australia/New Zealand
Hornsby Heights,
Sydney, NSW, 2077
Tel.: +61 477 477 481
E-mail: info@australia.rotarex.com



Handelsonderneming "PD"

GASAPPENDAGES - GASMENGENERS

Postbus 6584
Bijsterhuizen 21-52
Tel.: +31(0)24-3565688

6503 GB Nijmegen
6804 LG Wijchen
Website: www.pdhandel.nl

© 2012 - ROTAREX S.A.
ROTAREX Equipment™ ROTAREX S.A.
POU-EN-0615