



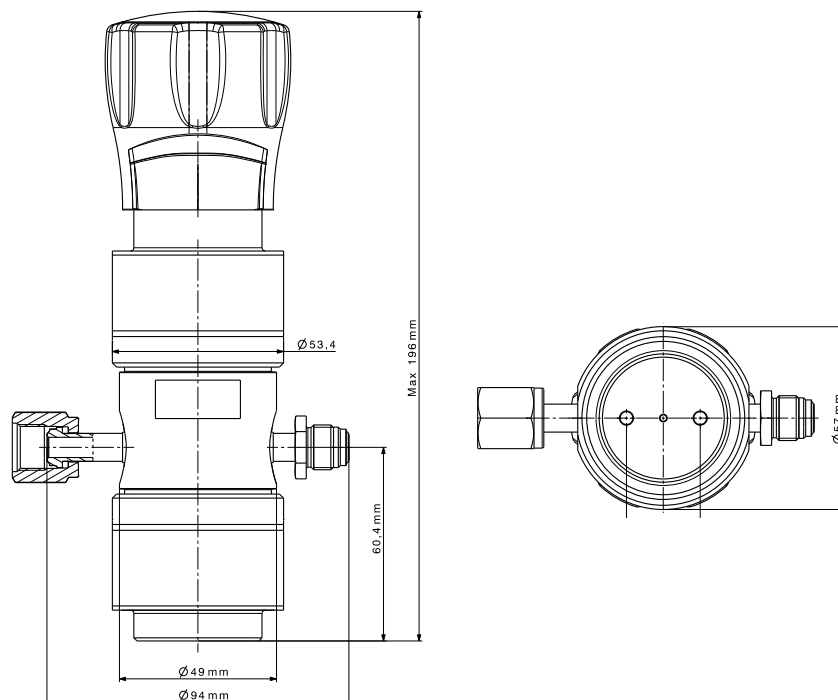
DUAL STAGE PRESSURE REGULATOR FOR HP & UHP APPLICATIONS

- Supply pressure effect is close to zero
- Life duration according to CGA E4
- Vacuum to 310 bar (4,500 psig) inlet
- Assembling, testing & packaging in cleanroom: Class ISO 4
- Individual serial number for full traceability
- Electropolished surface per SEMI F19 UHP Grade
- 316L VAR® stainless steel double melt per SEMI F20 option available

RX3900



RX3900 | TWO-STAGE PRESSURE REDUCTION WITH THE LOWEST SUPPLY PRESSURE EFFECT



SPECIFICATIONS

Max. inlet pressure

240/310 bar (2,500/4,500 psig)

Outlet pressure

0.7/2/4/7/10 bar
(10/29/58/102/145 psig)

Temperature range

-20°C to +65°C (-4°F to +149°F)

Poppet type

Tied diaphragm

Burst pressure

300% of operating pressure

Proof pressure

150% of operating pressure

Certified max. Helium outboard leak rate

$\leq 1 \times 10^{-9}$ mbar.l/s

Certified max. Helium across the seat leak rate (at max. pressure)

$\leq 1 \times 10^{-8}$ mbar.l/s

Certified max. Helium inboard leak rate (at max. pressure)

$\leq 1 \times 10^{-9}$ mbar.l/s

Flow capacity (Cv) 0.09

Supply pressure effect I* 0.001

*1 bar / 100 bar inlet pressure change

CONSTRUCTION MATERIAL

	Parts	Material
Wetted parts	Body	SS 316L, VAR
	Seat	PCTFE, VESPEL® (mandatory for 310 bar / 4500 psig inlet pressure)
	Diaphragm	SS 316L (Hastelloy optional)
	Poppet	SS 316L (Hastelloy optional)
	Spring	SS 316L (Hastelloy optional)
	Spring Holder	SS 316L
Non-wetted parts	Bonnet	SS 303
	Handwheel	PA 6.6
	Others	Stainless Steel and Brass

SURFACE FINISH

S	Ra 0.4 μm (15 μin)
V	Ra 0.25 μm EP (10 μin)
U	Ra 0.13 μm EP (5 μin)

SCAN ME FOR FLOW CURVES & PRODUCT CONFIGURATOR



PRODUCT CONFIGURATOR

	Regulator type	Outlet pressure	Seat material		Cv value	Body material	Surface finish		Porting Configuration	Connections	Actuation type	Inlet pressure	Options									
RX	39	07	K		009	S	V		2W1	4F4F	M	240	HPG0									
	Double stage (Tied diaphragm)	0.7 bar (10 psig)	01	PCTFE	K	009	009	Stainless Steel AISI 316L	S	Ra 0.4 µm (15 µin)	S	2 ports	2 W 1	¼" Female VCR	4F	Hand-wheel	M	240 bar (3,500 psig)	240	Hastelloy Trim	H	
		2 bar (29 psig)	02	Vespel	V			Stainless Steel AISI 316 AOD Var	V	Ra 0.25 µm EP (10 µin)	V	3 ports	3 W 4	¼" Male VCR	4M			310 bar (4,500 psig)*	310	Gauge (bar/PSI)	P G 0	
		4 bar (58 psig)	04						U	Ra 0.13 µm EP (5 µin)	U	4 ports	4 W 6								Gauge (MPa)	P G 1
		7 bar (102 psig)	07																			
		10 bar (145 psig)	10																			
																						* Vespel mandatory for 310 bar (4,500 psig) inlet pressure



WE'RE WORLDWIDE

Brasil * China * France * Germany * India * Indonesia
Italy * Japan * Luxembourg * Malaysia * Middle East * Mexico
Philippines * Poland * Singapore * South Korea * Spain
Thailand * Taiwan * United Kingdom * USA * Vietnam

Find out our locations here
<https://rotarex.com/locations>

